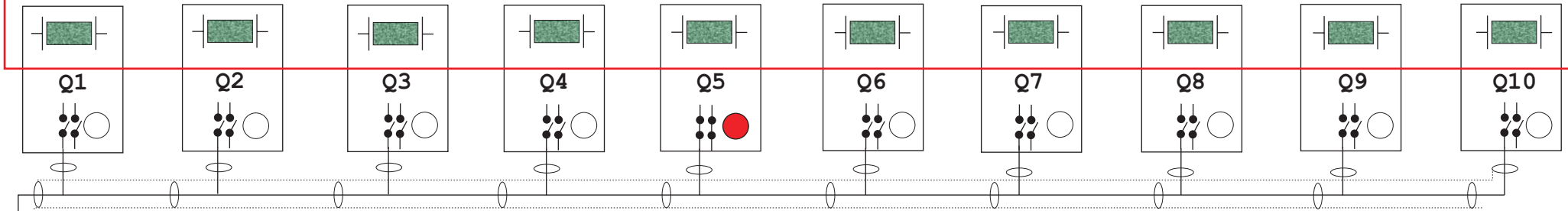
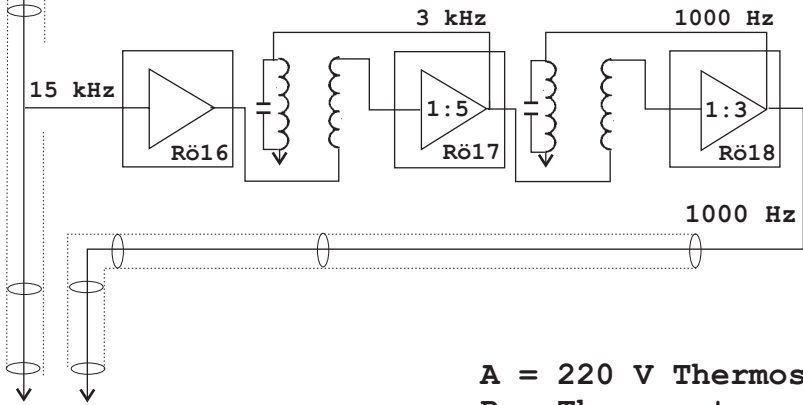


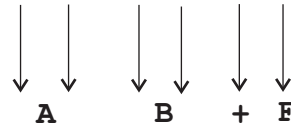
Thermostatic oven at 60°C



Q5 = 15000 Hz centre freq.
each channel divers 60 Hz



A = 220 V Thermostat
B = Thermometer contact
+ = ~190 HT
F = 12.6 V



All valves (Rö) RV12P2000
The oscillator valves does not have a number

Quartz and double size divider 1 : 15 unit